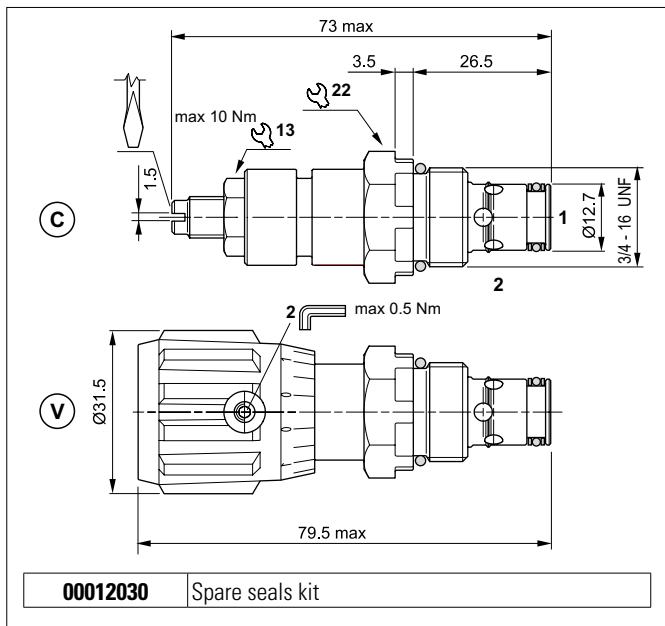


BIDIRECTIONAL FLOW CONTROL VALVE

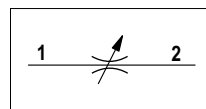


Flow control valve using non compensated throttling.
The flow is reduced in both directions, turning the screw or wheel right or left.
Guarantees excellent mechanical seal with negligible leakage.
It has a galvanised steel body.

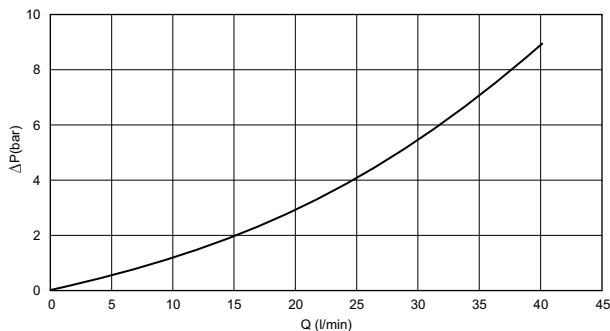
HYDRAULIC FEATURES

Max. working pressure	315 bar
Max. Flow	40 l/min
Hydraulic fluid	DIN 51524 Mineral oils
Fluid viscosity	10 ÷ 500 mm ² /s
Fluid temperature	-25°C ÷ 75°C
Ambient temperature	-25°C ÷ 60°C
Max. contamin. level class with filter	ISO 4406:1999 - class 19/17/14
Weight	0.11 kg
Tightening torque	25 ÷ 30 Nm
Cavity (3/4 - 16 UNF)	CD018006 (See section 15)

HYDRAULIC SYMBOL

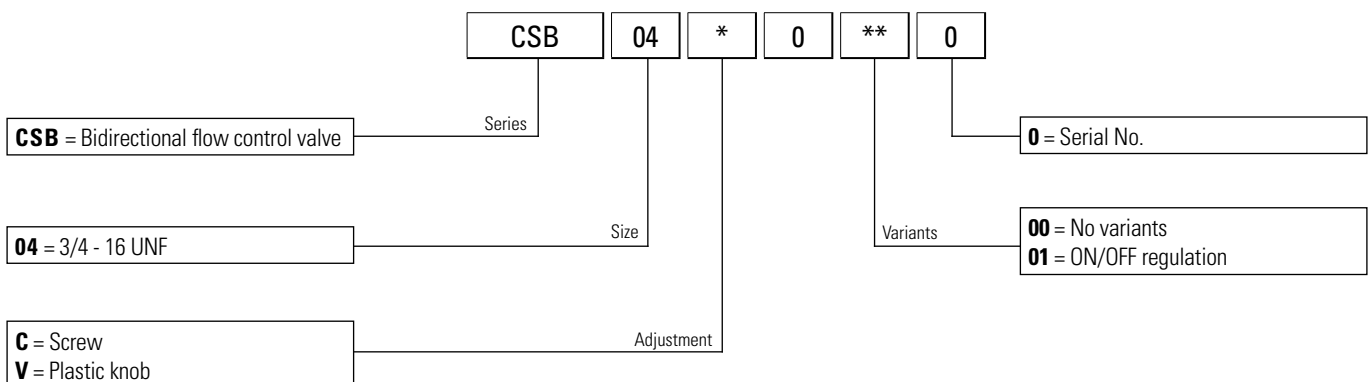


PRESSURE DROPS

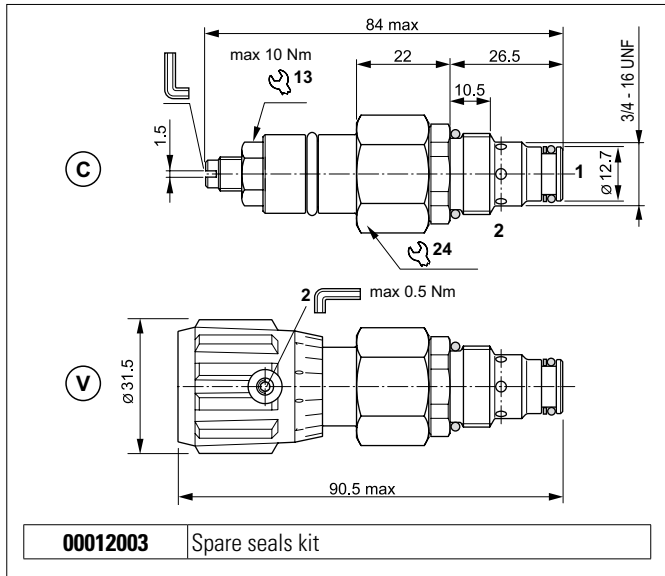


Fluid used: mineral based oil with viscosity 15 mm²/s at 40°C.

ORDERING CODE



UNIDIRECTIONAL COMPENSATED FLOW CONTROL VALVES



The flow control valve maintains a steady flow in a single direction (1 to 2) regardless of oil pressure.

The flow is reduced by turning the screw or wheel right or left.

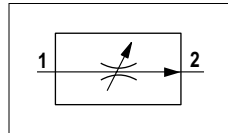
Slight leakage is tolerated when the control screw or wheel is screwed down completely.

It has a galvanised steel body. The compensator plunger is in tempered and ground steel.

HYDRAULIC FEATURES

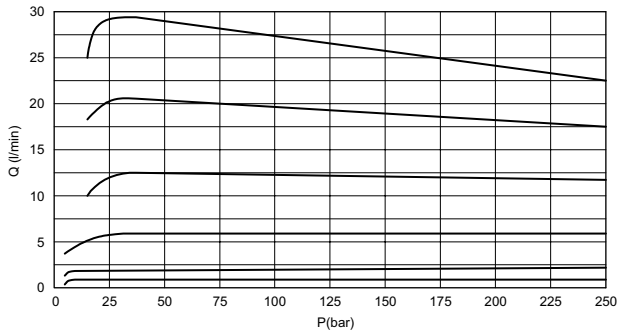
Max. working pressure	250 bar
ΔP of regulation	12.6 bar
Max. Flow	29 l/min
Hydraulic fluid	DIN 51524 Mineral oils
Fluid viscosity	10 ÷ 500 mm ² /s
Fluid temperature	-25°C ÷ 75°C
Ambient temperature	-25°C ÷ 60°C
Max. contamin. level class with filter	ISO 4406:1999 - class 19/17/14
Weight	0.2 kg
Tightening torque	25 ÷ 30 Nm
Cavity (3/4 - 16 UNF)	CD018006 (See section 15)

HYDRAULIC SYMBOL



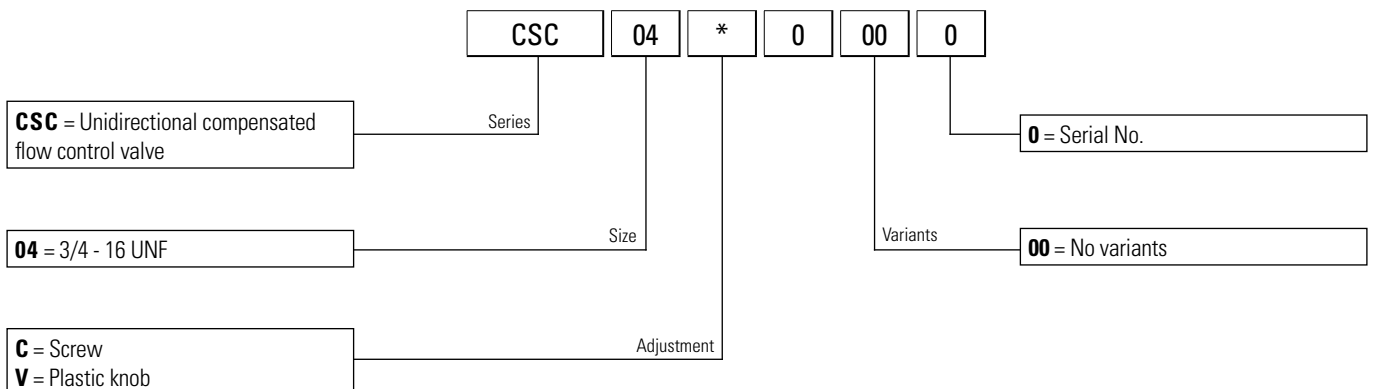
PRESSURE DROPS

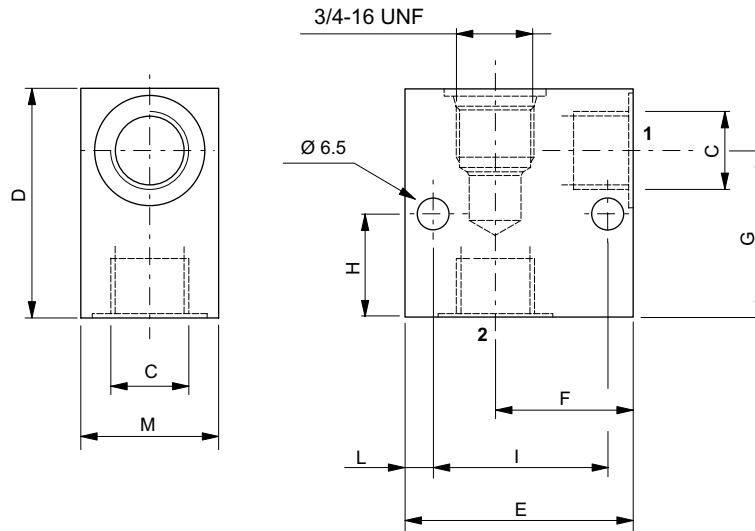
Controlled flow 1 → 2



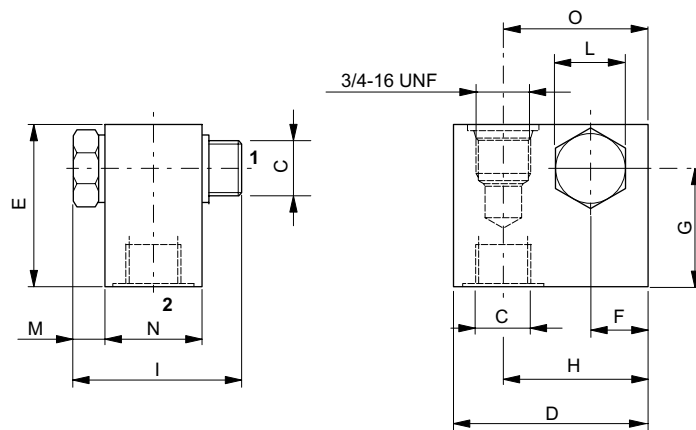
Fluid used: mineral based oil with viscosity 32 mm²/s at 40°C.

ORDERING CODE

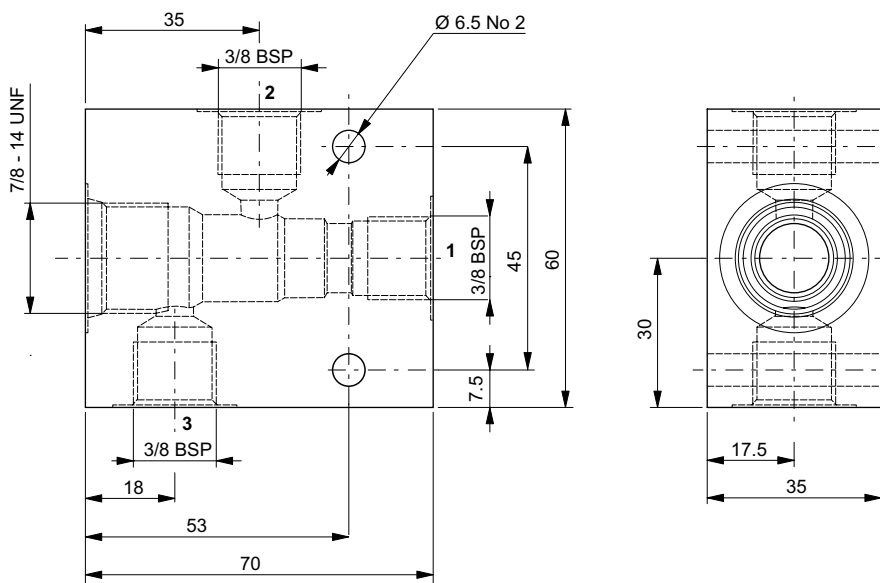




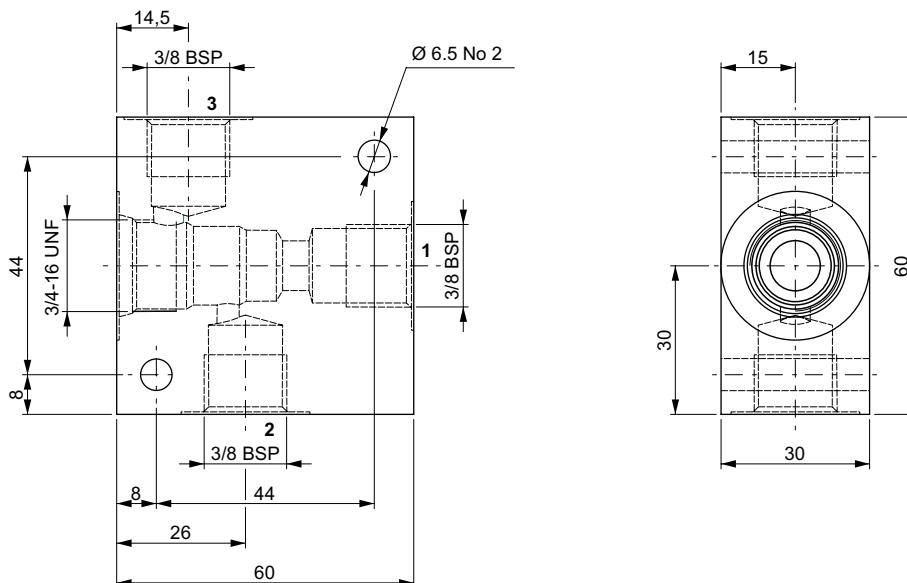
Code	C	D (mm)	E (mm)	F (mm)	G (mm)	H (mm)	I (mm)	L (mm)	M (mm)	Material	Cavity
F07100013	1/4 BSP	46	50	30,5	33	18	38	6	30	Alluminio EN AW 2011	CD018006
M18400061	3/8 BSP	55	60	38	41,25	25	45	7,5	30		
M18400071	1/2 BSP	60	60	35	41	6	48	6	40		



Code	C	D (mm)	E (mm)	F (mm)	G (mm)	H (mm)	I (mm)	L (mm)	M (mm)	N (mm)	O (mm)	Material	Cavity
17030532	3/8 BSP	50	50	16	32	35	51	22	9	30	34,5	Alluminium EN AW 2011	CD018006
V10500034	1/4 BSP	40	46	11	31	26	49	19	8	30	26		



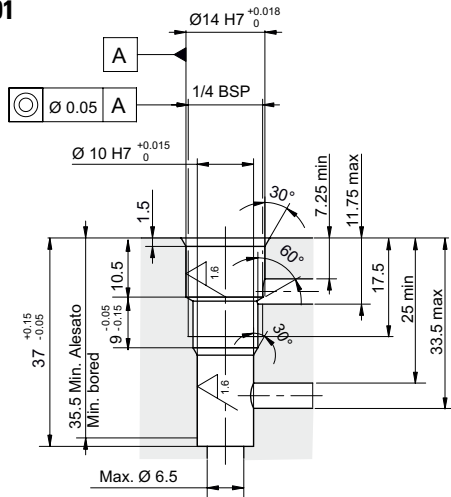
Code	Material	Cavity
M10850319	Alluminium - EN AW 2011	CD019006



Code	Material	Cavity
M10850206	Alluminium - EN AW 2011	CD018005

CA012001

1/4 BSP

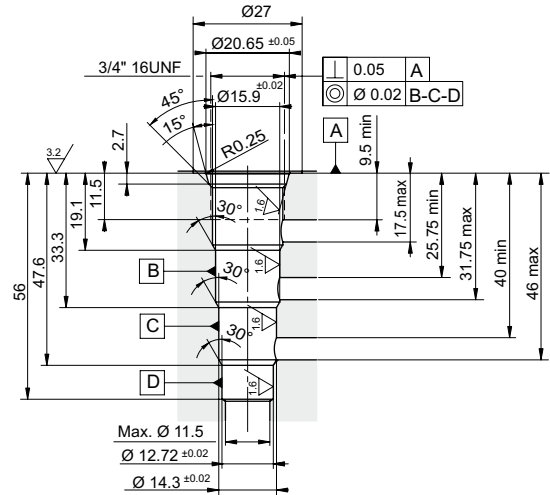


Plugs compatibility:

--	--	--	--	--

CD018001

3/4 16UNF

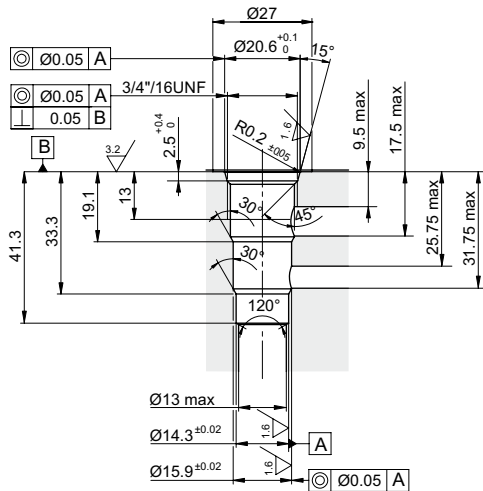


Plugs compatibility:

R78150114	R78150109	R78150111		
-----------	-----------	-----------	--	--

CD018003

3/4 16UNF

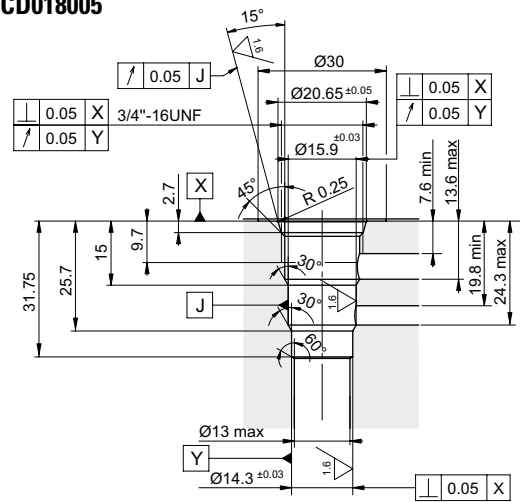


Plugs compatibility:

20001700	20001900			
----------	----------	--	--	--

CD018005

3/4 16UNF

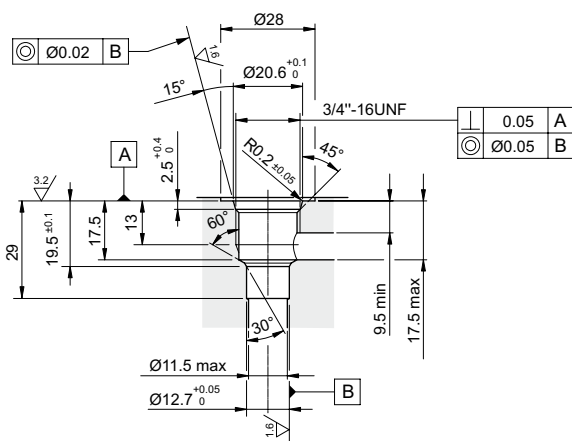


Plugs compatibility:

--	--	--	--	--

CD018006

3/4 16UNF

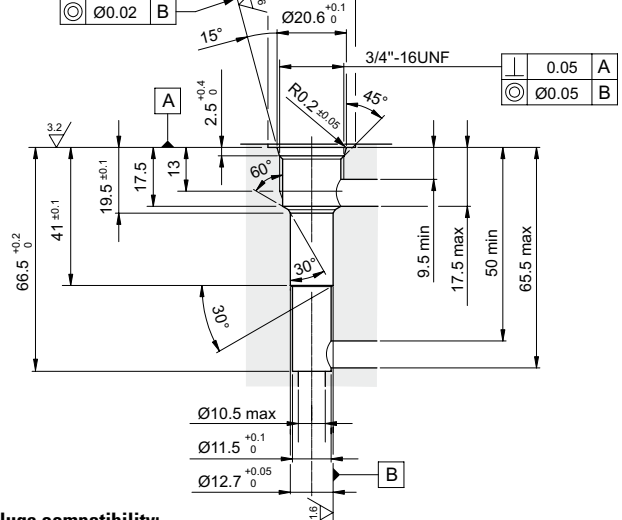


Plugs compatibility:

20001900	20001700	20003800	20009400	20018000
----------	----------	----------	----------	----------

CD018009

3/4 16UNF

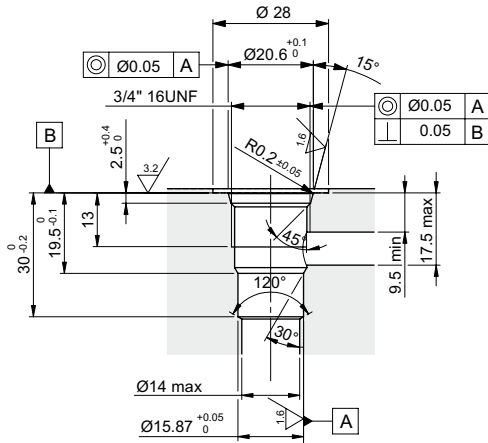


Plugs compatibility:

20001900	20001700	20003800	20009400	20018000
----------	----------	----------	----------	----------

CD018012

3/4 16UNF

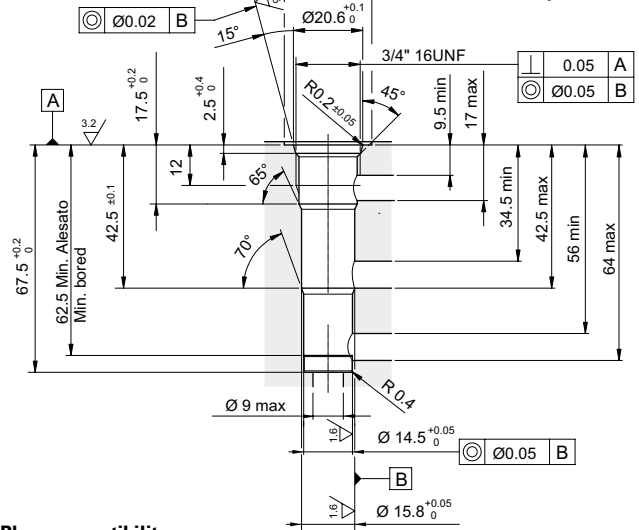


Plugs compatibility:

R78200A19	20001700	20001900		
-----------	----------	----------	--	--

CD018013

3/4 16UNF

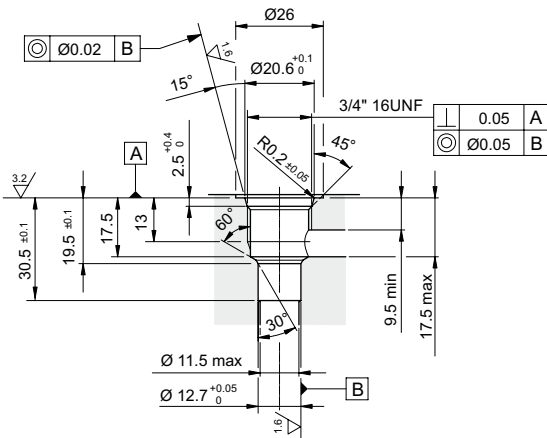


Plugs compatibility:

R78150100				
-----------	--	--	--	--

CD018014

3/4 16UNF

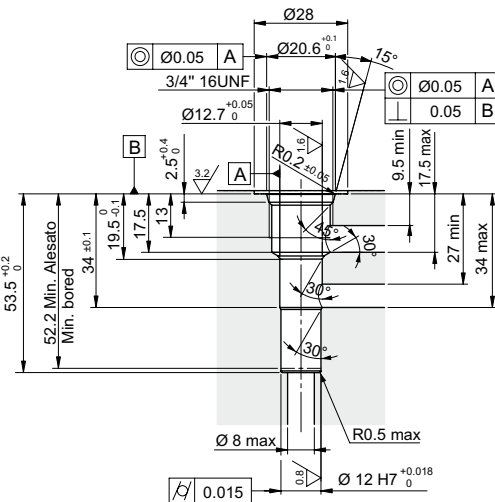


Plugs compatibility:

20001900	20001700	20003800	20009400	20018000
----------	----------	----------	----------	----------

CD018015

3/4 16UNF

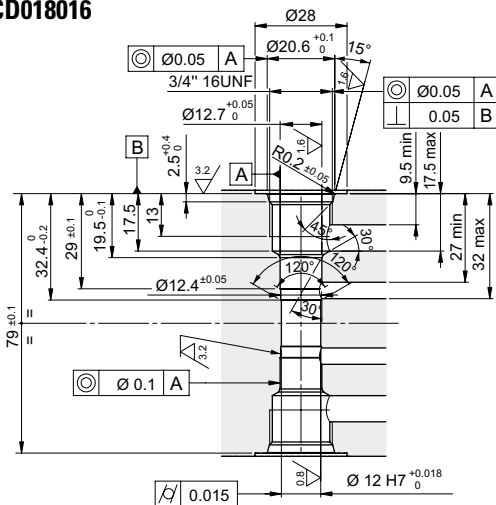


Plugs compatibility:

20018000	20001700	20001900	20003800	20009400
----------	----------	----------	----------	----------

CD018016

3/4 16UNF

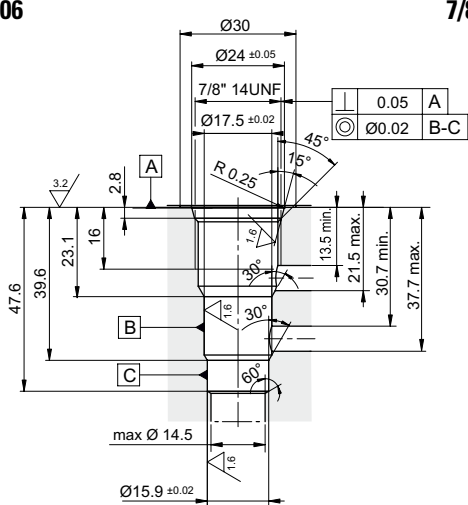


Plugs compatibility:

20018000	20001700	20001900	20003800	20009400
----------	----------	----------	----------	----------

CD019006

7/8 14UNF

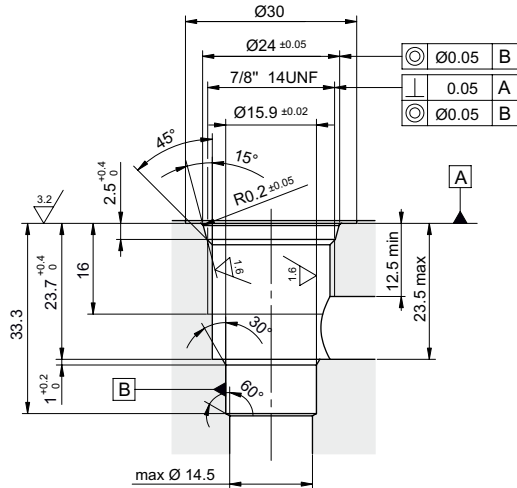


Plugs compatibility:

--	--	--	--	--

CD019007

7/8 14UNF

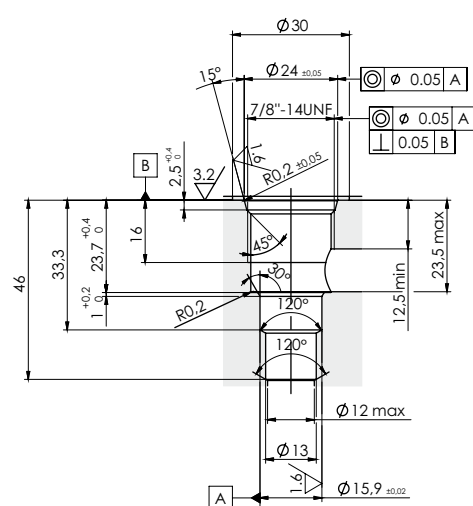


Plugs compatibility:

--	--	--	--	--

CD019011

7/8 14UNF

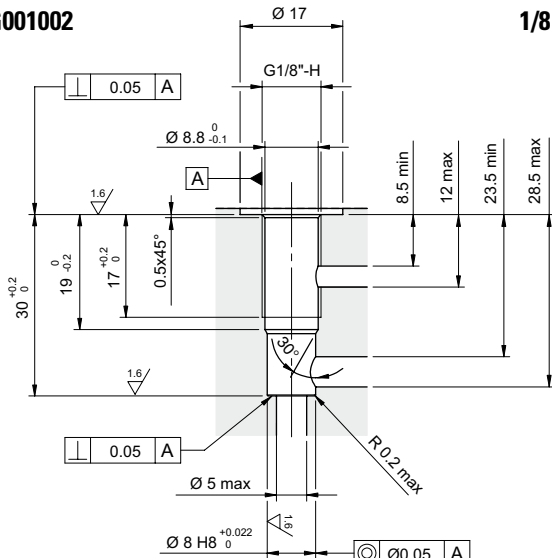


Plugs compatibility:

--	--	--	--	--

CG001002

1/8 BSP

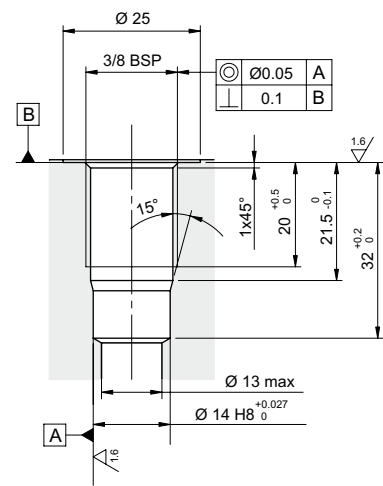


Plugs compatibility:

--	--	--	--	--

CG003004

3/8 BSP

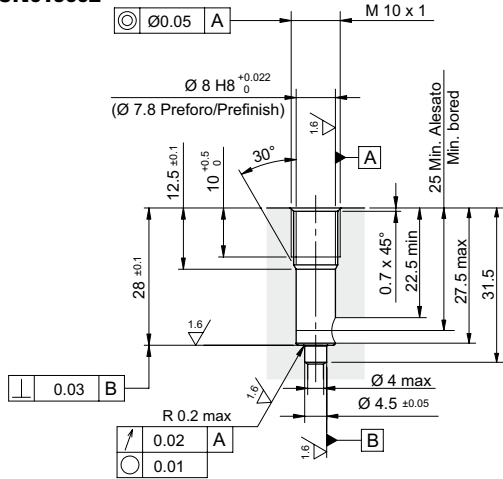


Plugs compatibility:

--	--	--	--	--

CN019002

M10X1

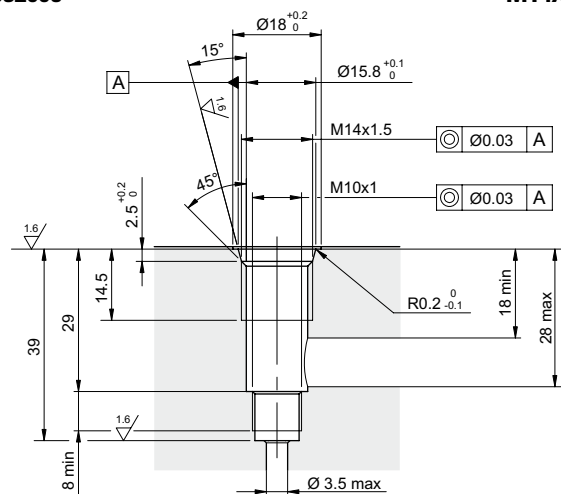


Plugs compatibility:

--	--	--	--	--

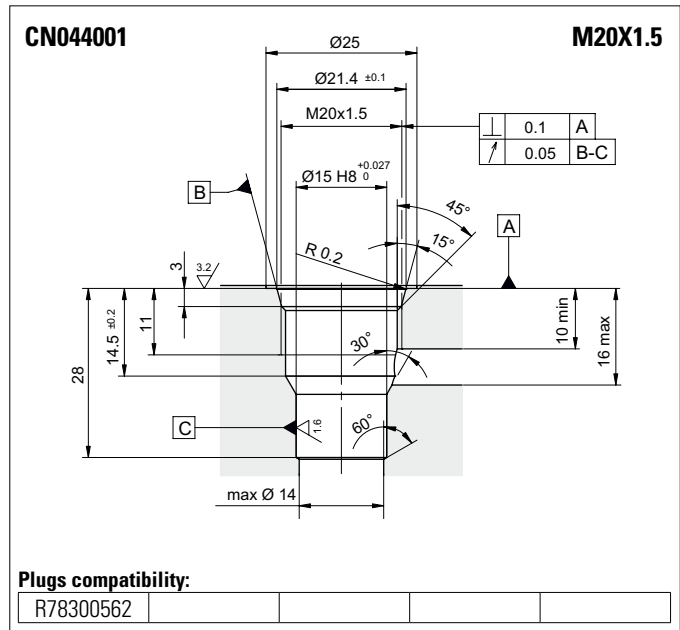
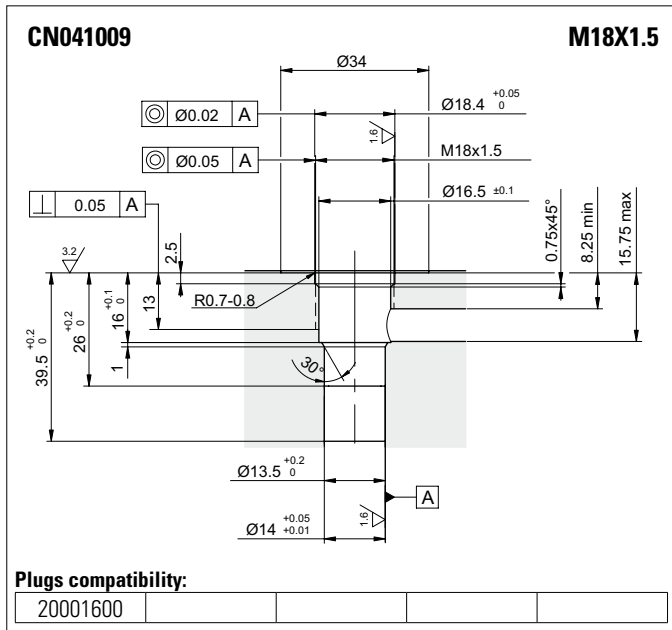
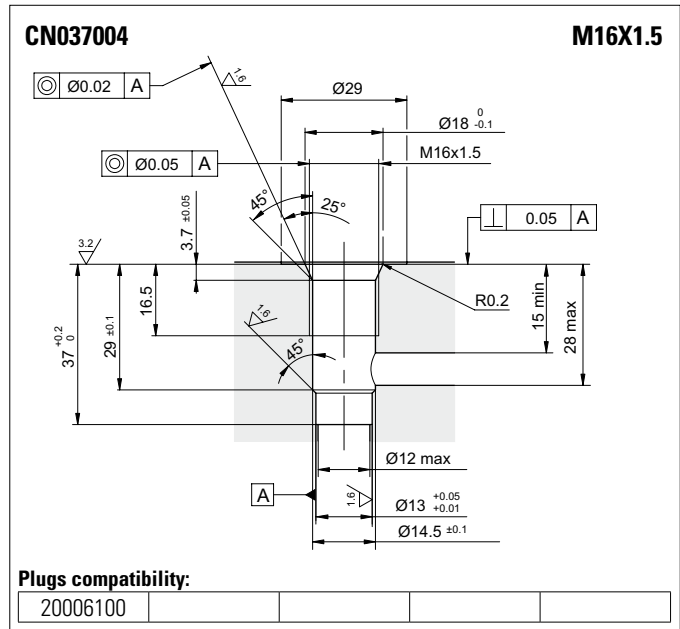
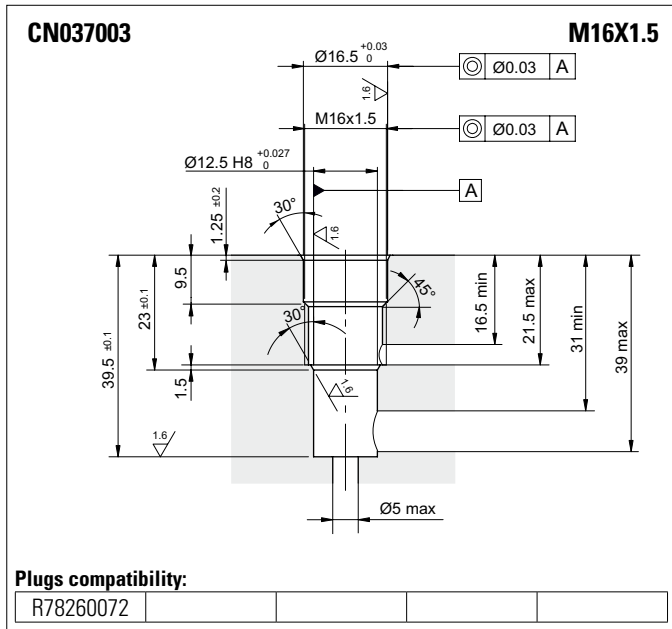
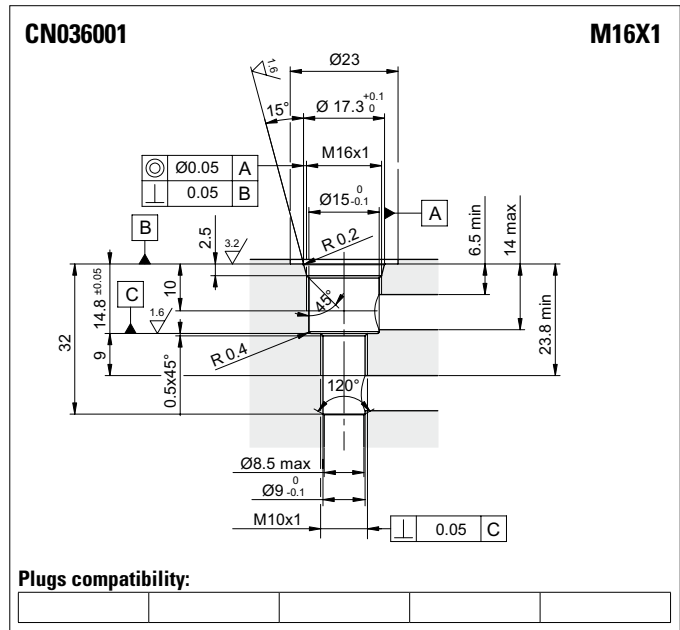
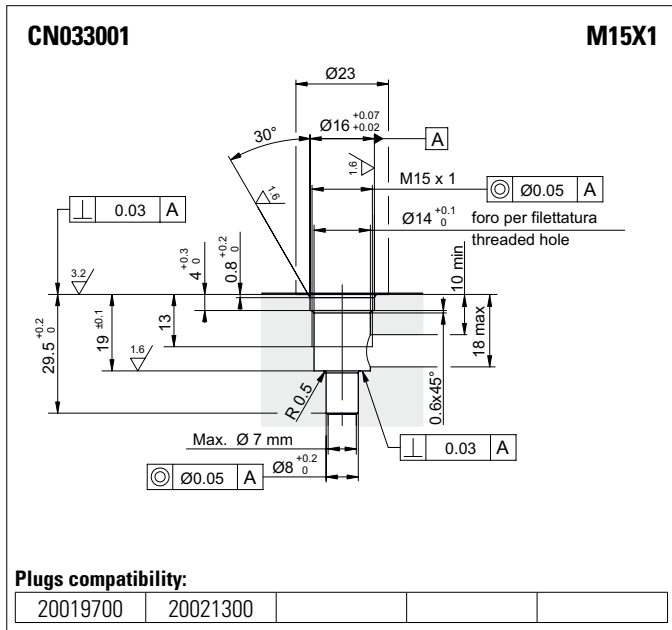
CN032005

M14X1.5



Plugs compatibility:

--	--	--	--	--



CN047002 **M22X1.5**

Plugs compatibility:

R78050014			
-----------	--	--	--

CN047003 **M22X1.5**

Plugs compatibility:

R78400A17			
-----------	--	--	--

CN051001 **M24X2**

Plugs compatibility:

R78300564			
-----------	--	--	--

CN059001 **M27X1.5**

Plugs compatibility:

--	--	--	--

CN070001 **M33X2**

Plugs compatibility:

R78400568			
-----------	--	--	--

Plugs compatibility:

--	--	--	--